

E1SS-2040 E1 G.703 Digital Splitter

2 Channel 1:4 way Splitter for E1 G.703 Streams



E1SS Signal splitters create identical copies of E1/PRI signal streams.

E1SS-2040 creates four identical sets of outputs for each of a pair of E1 G.703 bitstream.

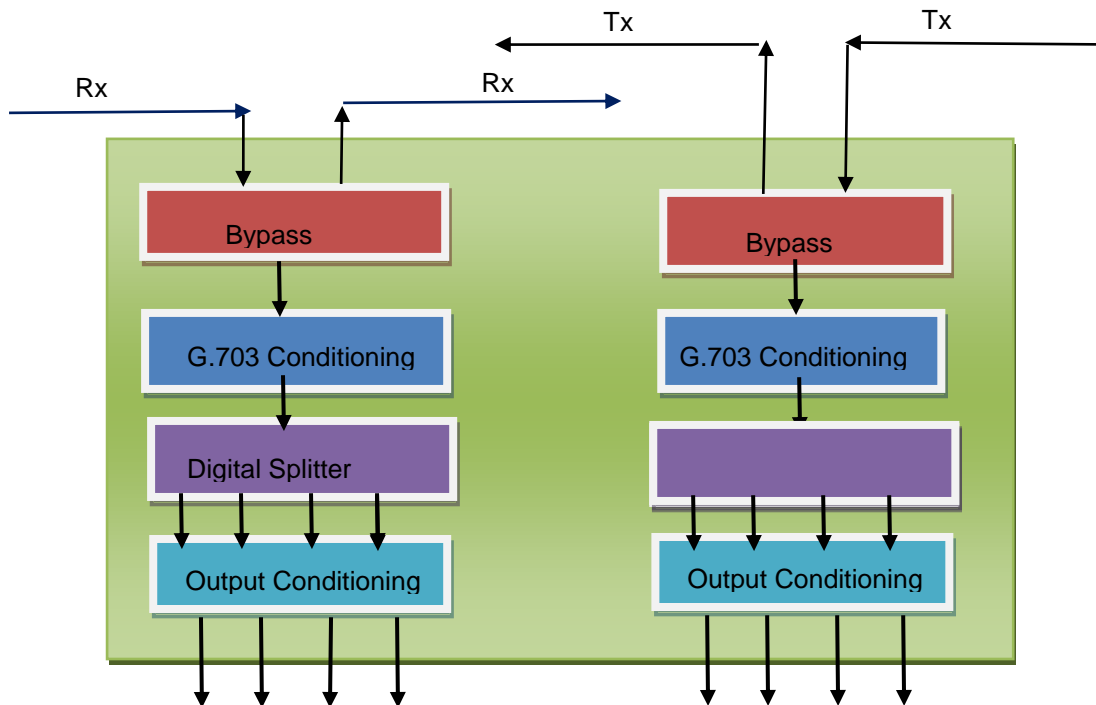
The source stream connection is made through two BNC connectors that are hard-wired in parallel and the original bitstreams pass-through the Splitter without any in-line circuitry or delay.

Monitoring, recording and other equipment can be connected or disconnected at the outputs without disturbing the source bitstream, even when the Splitter is unpowered.

For compatibility with primary rate E1 Telecoms data, E1SS-2040 signal input/output interfaces incorporate ITU G.703 compatible receivers/drivers; common-mode line chokes; over-voltage protection and isolation transformers.

The unit is AC powered and supplied in a 1U rackmount case.

E1SS-2040 is part of the E1SS product range, which also include a programmable Router for E1, monitoring and recording applications.



somercdata



Underwood Business Park
Wells
Somerset
BA5 1AF
United Kingdom

Phone: +44 (0)1179 634050

E-mail: sales@somercdata.com

Website: www.somercdata.com

Specifications**Input***Signal Interface*

E1 compatible with ITU G.703

Input impedance

13 k Ω without supplied external terminator
 75 Ω with supplied external terminator fitted to the
 bypass BNC connector

Input amplitude

± 2.37 V $\pm 10\%$ nominal, to -12dB
 ± 5 V maximum

Pulse width

230 ns to 260 ns

Input jitter tolerance

14UI @ 750Hz
 0.4UI, 10kHz to 100kHz

Number of Input Channels:

2

Output*Signal Interface*

E1 compatible with ITU G.703

*Output impedance*75 Ω *Output amplitude* ± 2.37 V $\pm 10\%$ *Pulse width*

244 ns nominal

Output jitter attenuation

10dB/decade from 10Hz
 Meets the requirements of ITU G.736 and I.431

Input to Output Delay

Minimum: 1 μ s
 Maximum: 16 μ s
 Typical: 8 μ s

Number of Outputs per Channel

4

Status Indicators

Power
 Signal presence per channel

Input/Output Connections*Data*

BNC

AC Power

3-pin IEC

Power*Supply*

85V -264V, 47Hz - 63Hz, universal input

Physical

1U rackmount chassis

Dimensions

482mm x 105mm x 44mm

Weight

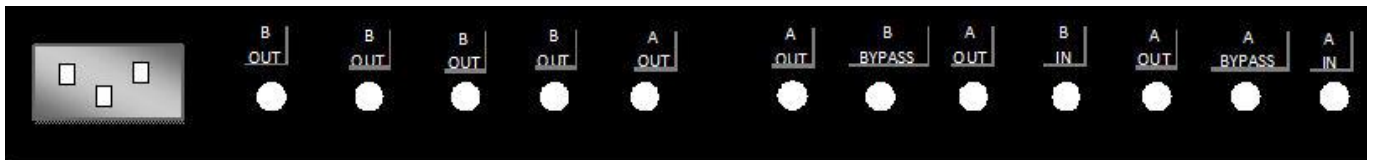
1.6kg

Environmental*Temperature*

0°C to 70°C

Relative Humidity

5% to 95% non-condensing



E1SS-2040 Rear Panel Connections